

HYPHERPRO

STEERING DAMPER MOUNTING KIT

for

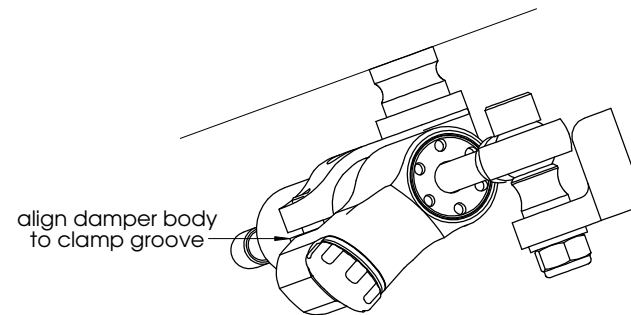
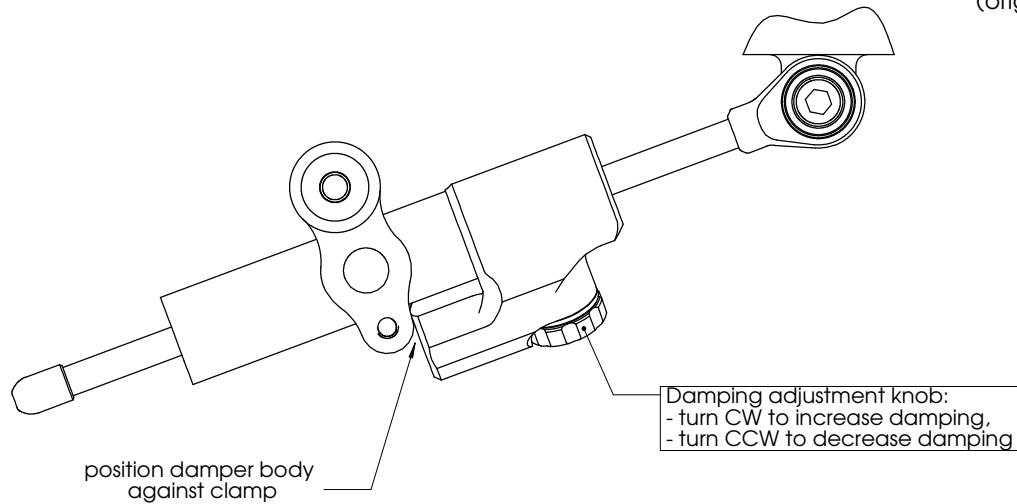
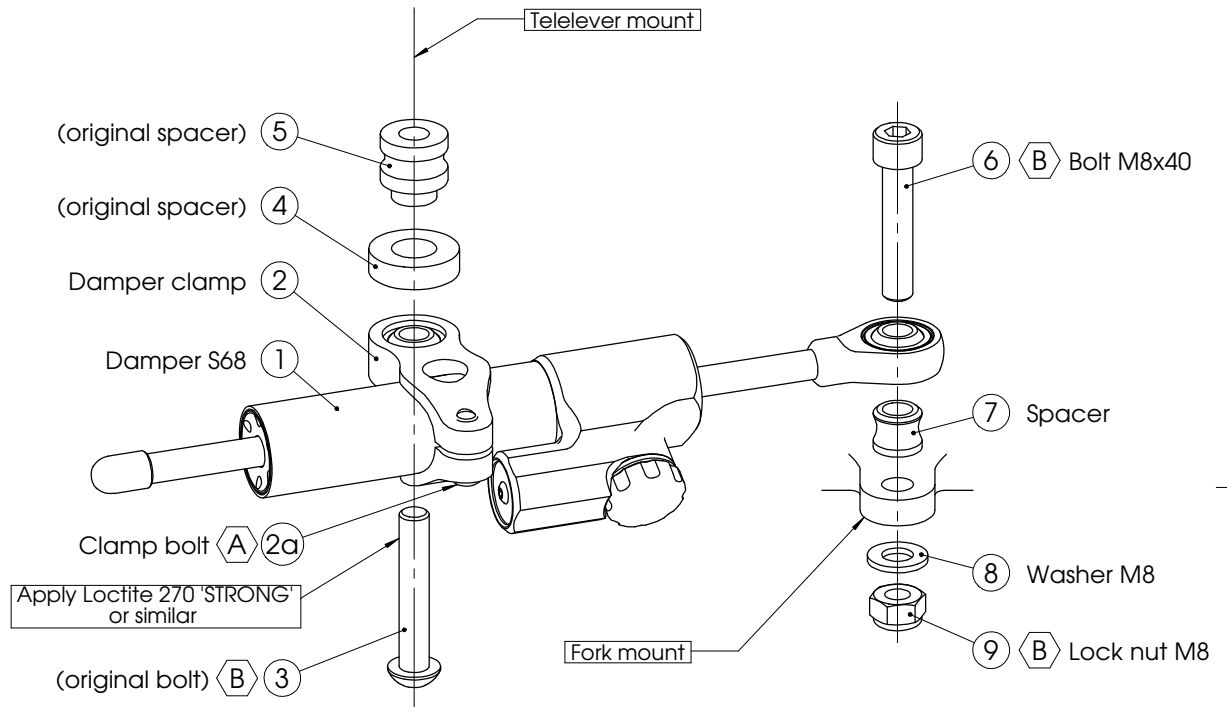
BMW R1200 GS LC [Adv] 2014->
BMW R1200 RT 2014->

MK-BM12-0004 PART LIST

SD stroke 68	1	-	-
Damper Clamp (DB018235)	1	-	-
M8x40	1	-	-
Spacer (SP0001)	1	-	-
Washer M8 Ø 16	1	-	-
Lock nut M8	1	-	-
-	-	-	-
-	-	-	-

ALL IDEAS, DESIGNS ARRANGEMENTS AND PLANS INDICATED OR REPRESENTED BY THIS DRAWING ARE OWNED BY HYPERPRO AND WERE CREATED, EVOLVED AND DEVELOPED FOR USE ON AND IN CONNECTION WITH THE SPECIFIC PROJECT. NONE SUCH IDEAS, DESIGNS, ARRANGEMENTS OR PLANS SHALL BE USED BY OR DISCLOSED TO ANY PERSON, FIRM OR CORPORATION FOR ANY PURPOSE WHATSOEVER WITHOUT THE WRITTEN PERMISSION OF HYPERPRO.

Step 1: REMOVE THE ORIGINAL STEERING DAMPER



* TORQUES	
A: 5-9Nm / 44-80Lbs.In / 4.0-6.4Lbs.Ft	D: 8Nm / 70Lbs.In / 5.9Lbs.Ft
B: 14-17Nm / 124-150Lbs.In / 10.3-12.5Lbs.Ft	E: 55Nm / 486Lbs.In / 40Lbs.Ft
C: 6Nm / 53Lbs.In / 4.4Lbs.Ft	F: Factory torque (see owners manual)

HYPERPRO

STEERING DAMPER MOUNTING KIT

for

BMW R1200 GS LC [Adv] 2014->

BMW R1200 RT 2014->

MK-BM12-0004 INSTALLATION INSTRUCTIONS

In general:

HYPERPRO can not be held responsible in any way for any form of physical, material, financial or other damage arising from use, assembly or overhaul of HYPERPRO products. HYPERPRO reserves the right to make changes without prior notice.

This product is ONLY TO BE INSTALLED BY A PROFESSIONAL MECHANIC.

This product is only to be used for the motorcycle brand, model and year stated specifically on top of the pages of this manual.

DO NOT attempt to install this product on motorcycles from any different brand, model and/or year than stated on the pages of this manual.

DO NOT use this kit for cars, boats, jet skis, snowmobiles, ATV's, aircraft, hovercrafts or any other vehicle and/or purpose.

HYPERPRO steering dampers are FOR RACE USE ONLY, NOT FOR HIGHWAY USE!

Before installation:

- Please read the entire manual carefully before starting the installation!
- Check if you have all the tools required. Good tools are a must.
- Protect your bike at the most important places in and around the work area (e.g. tank, fairing, frame, etc.), with a blanket, towel or similar.

During installation:

- Check all operations and parts carefully before, during and after performing each step.
- Clean all surfaces that are required for fitting parts together or for applying self adhesives or loctite, thoroughly with contact cleaner or another degreaser, unless otherwise stated.
- Be careful not to damage or scratch any part of your bike.
- ALWAYS work relaxed and concentrated!! It is very easy to damage something or make a mistake.

After installation:

- Check and make sure that there is no contact between any part of the steering damper kit and any part of the motorcycle. The kit should not hit anything. Steering movement should not be limited by the steering damper. If the steering movement is limited, adjust the position of the tube in the clamp until steering movement is normal again. Do not forget to tighten the clamp bolt again!
- ALWAYS check the steering movement and feeling before each ride !
- FIRST RIDES: Start with the damper turned fully open (turn adjuster knob fully counter clockwise). Start adjusting in between rides with steps of MAX. 2 CLICKS (0.25 TURN) EACH TIME, until the damper is working satisfactory for your riding style.
- NEVER USE MAXIMUM SETTING, ALWAYS OPEN AT LEAST 2 CLICKS (0.25 TURN).
- WARNING ! DAMPER HAS AN ACTIVE / SPEEDSENSITIVE DAMPING SYSTEM;
 - Steering with NORMAL MOVEMENT should be FREE !!
 - Steering with FAST MOVEMENT should be CONTROLLED BY DAMPER !!
- HYPERPRO uses a special seal to reduce friction. The seal uses an oil film to work properly. It is normal that some oil can appear on the pistonrod.
- Damper works with oil: DAMPING CAN BE HARDER AT LOWER TEMPERATURES!

Step 1: remove the original steering damper

- Put the bike on its center stand on a level and hard, stable surface.
- Lift the front of the bike with a jack under the engine or lift the front by crane.
- Remove the front wheel and the front fender / mudguard.
- Remove the original steering damper, making sure to keep parts (3), (4) and (5).

Step 2: install steering damper and clamp

Install the new steering damper using:

- Steering damper, stroke 68 (1)
- Damper Clamp (2)
- Original parts: Torx bolt (3), Spacers (4) and (5)
- Bolt M8x40 (6)
- Spacer (7)
- Washer M8 (8)
- Lock nut M8 (9)

Shove the damper (1), with the end knob first, through the clamp (2) until the damper body touches the clamp. Set the angle by aligning the damper body to the clamp groove (see page 1) and tighten the M6 clamp bolt (2A) to a torque of approx. 6Nm/53Lbs.In/4.4Lbs.Ft.

Apply some Strong Loctite 270 or similar to the original bolt (3) and use it to fit the damper clamp (2) and damper (1) to the original hole in the telelever. Tighten the bolt to BMW factory torque (or approx. 14-17Nm/124-150Lbs.In/10.3-12.5Lbs.Ft.).

Use bolt M8x40 (6), spacer (7), washer (8) and lock nut (9) to mount the damper ball-joint to the original fork mount hole, see page 1 for the correct order. Tighten the bolt and nut to approx. 14-17Nm/124-150Lbs.In/10.3-12.5Lbs.Ft.).

Check if the bike can make its full steering angle from left to right without any problems. Adjust position of the damper clamp if necessary to improve.

Step 3: re-install fender and front wheel

- Re-install all the original parts in the reverse order of step 1, see workshop manual.